



THERMINO ePlus



The future of hot water is here

Thermino ePlus is the small and smart alternative to direct hot water cylinders

Space-saving innovation:

Up to 4 x smaller than conventional hot water cylinders

Add solar PV at any time:

Easy and affordable upgrade to low carbon efficiency with Optimino PV key

Invigorating showers:

Enjoy the luxury of mains pressure showers and on-demand hot water

Hassle-free:

Easy to install and no mandatory annual maintenance on the appliance

Super efficient:

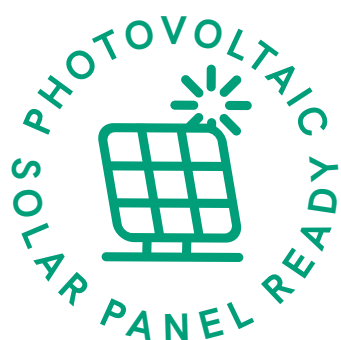
Ultra low heat losses

Save money on bills:

Charge off-peak using time of use tariffs or with free solar electricity

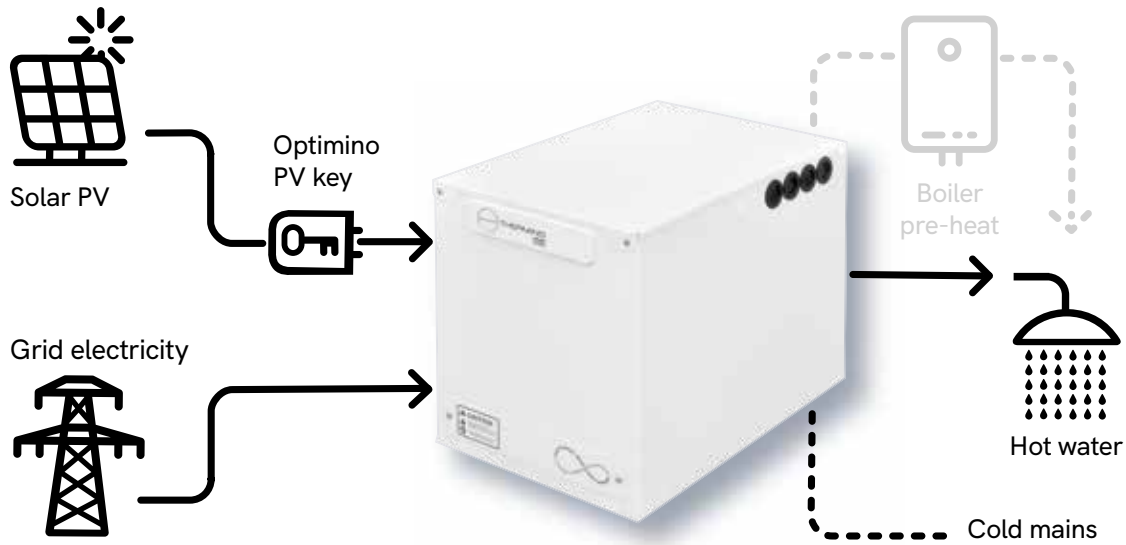
Legionella protection:

Innovative design minimises risk of Legionella

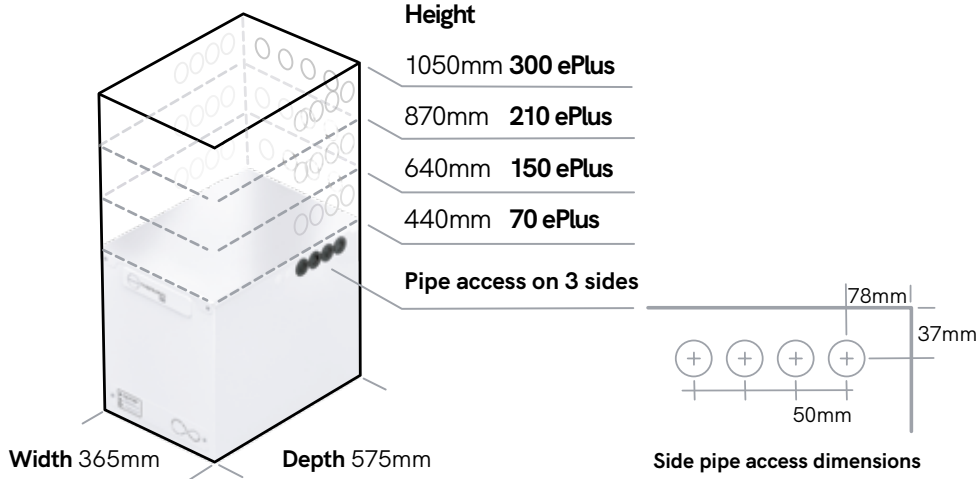


Now with Optimino technology

How Thermino works

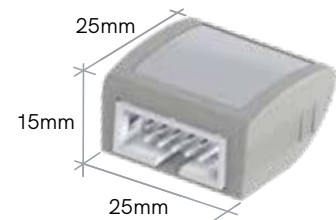


Thermino ePlus Dimensions



Optimino PV key

Thermino technology is **futureproof**. When you want to use solar PV simply add the Optimino PV02 key



Thermino ePlus technical data	70 ePlus	150 ePlus	210 ePlus	300 ePlus
Part number	SGP-KNW-AVZ-1	SKP-KNW-AVZ-1	SNP-KNW-AVZ-1	DRP-KNW-AVY-1
Equivalent hot water cylinder size (L)	74	140	212	306
V40* (L)	105	199	301	436
Heat loss rate (kWh/24h) (W)	0.48 (20)	0.67 (28.1)	0.77 (32.1)	0.84 (34.9)
Energy efficiency rating class	C			
Recommended maximum flow rates (L/min)	6	15	20	25
Minimum mains supply pressure (bar/MPa)	1.5 /0.15			
Maximum working pressure (bar/MPa)	5/0.5			
Recommended TMV temperature (°C)	45-55			
Heating element capacity at 230V, 50 Hz (W)	2,800			
Annual electricity consumption (kWh/annum)	542	1,398	2,690	2,701
Product weight in use (kg)	79	140	178	233

* V40 refers to the volume (in litres) of hot water available at 40°C.

NOTE: In line with UK Building Regulations, Sunamp advise the installation of a suitable hot water supply tempering valve at the outlet of the appliance, to prevent the risk of scalding.

Sunamp Limited, 1 Satellite Park, Macmerry, East Lothian, EH33 1RY, Scotland, UK
 info@sunamp.com +44 (0)1875 610001
 As an innovative company committed to achieving net zero, Sunamp Ltd continuously improves its products which means data and other information are subject to change without prior notice. While every effort has been made to ensure that all specifications and descriptions are correct at the time of going to press, this brochure should not be regarded as an infallible guide nor as an offer of sale for a particular product. Always refer to the latest version of this document, other information and our latest terms and conditions which are available to view and download at www.sunamp.com

Scan here for more information and details of compatible solar power diverters

